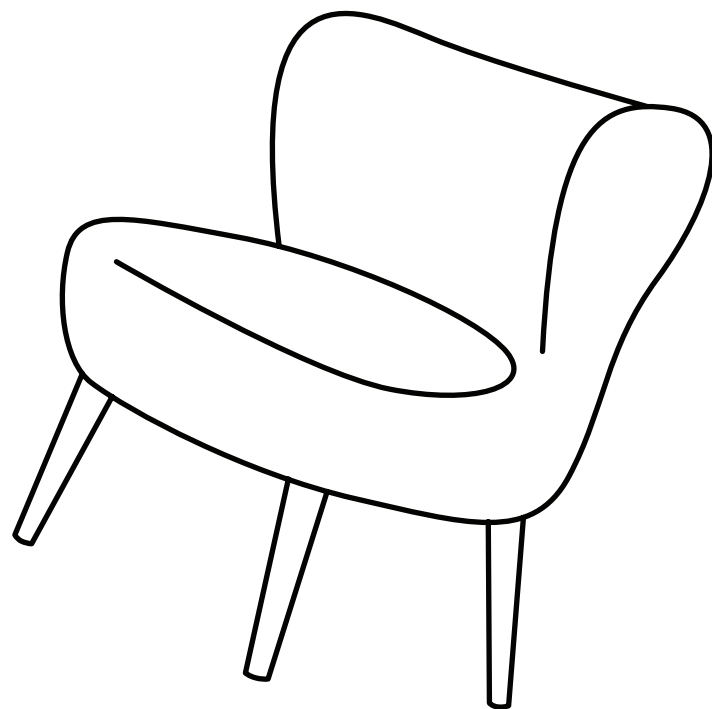
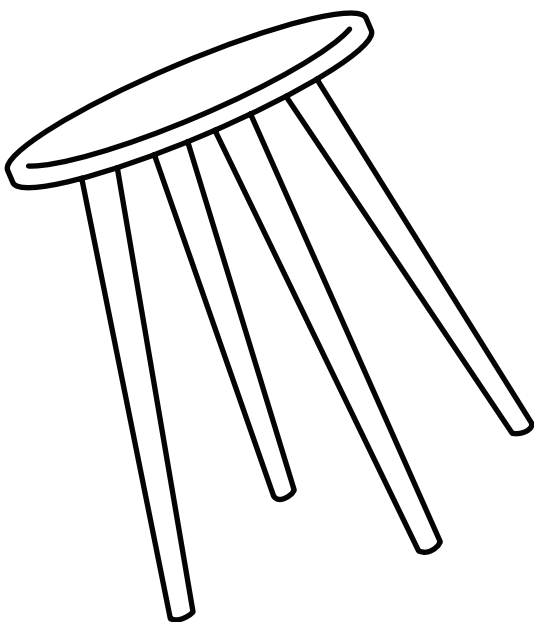


Hello, I've arrived!

Now that I'm here you are only one flat-pack away from transforming your home.



Mocka.

Thank you for supporting us.

We believe design belongs to everyone. From materials and processes to safety testing, production and delivery, we are passionate and committed to bringing you the best possible product so you can create beautifully functional spaces to feel comfortably you.

Here are a few assembly tips before you get started:



Make Time

The first step to all seamless assembly is taking a moment to carefully read through the instructions—you are already on your way to creating a beautifully functional space!



Set The Mood

Put on your favourite playlist, order that pizza and pour yourself a drink to get in the mood!



Tool Check

Layout the instructions, screws and panels to check you have everything you need. A blanket or soft floor rug will help protect your new favourite item from scratches and a drill will speed up the assembly too!



Room Reveal

You did it! Take a step back and enjoy the moment. Don't forget to recycle any packaging and share a pic of your room reveal—we love seeing how you transform your home! **Tag us @mockaaustralia/@mockaanz**

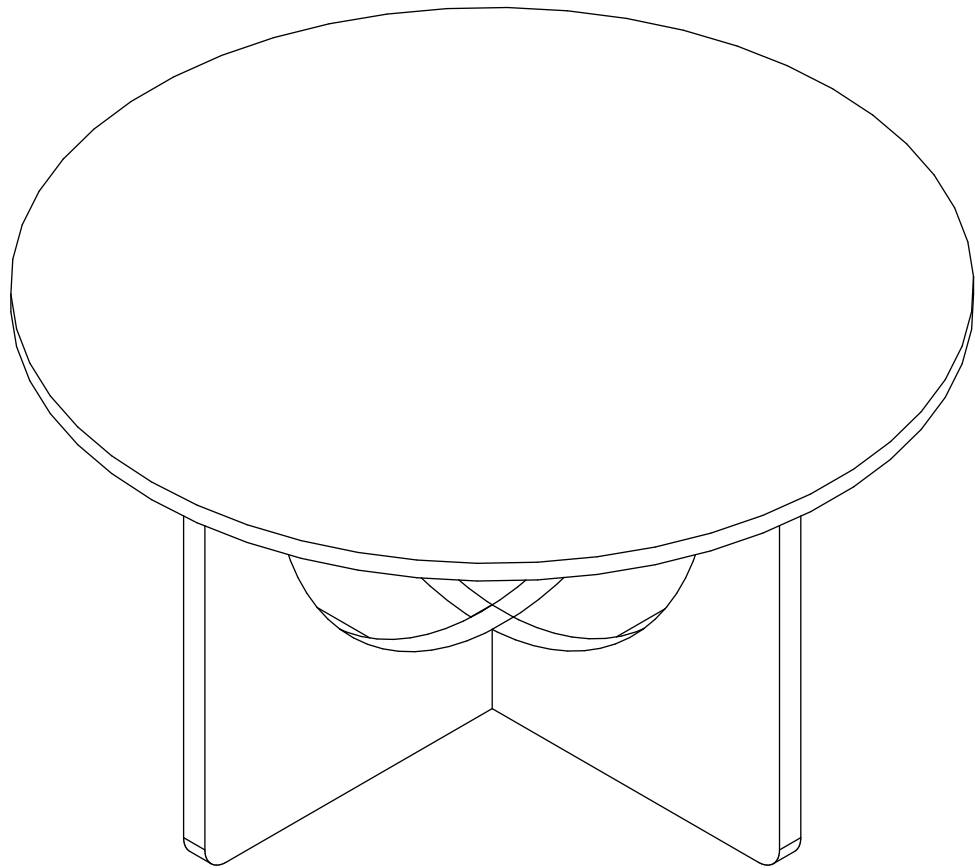
Happy flat-packing!

The Mokka Team

Arc

Coffee Table

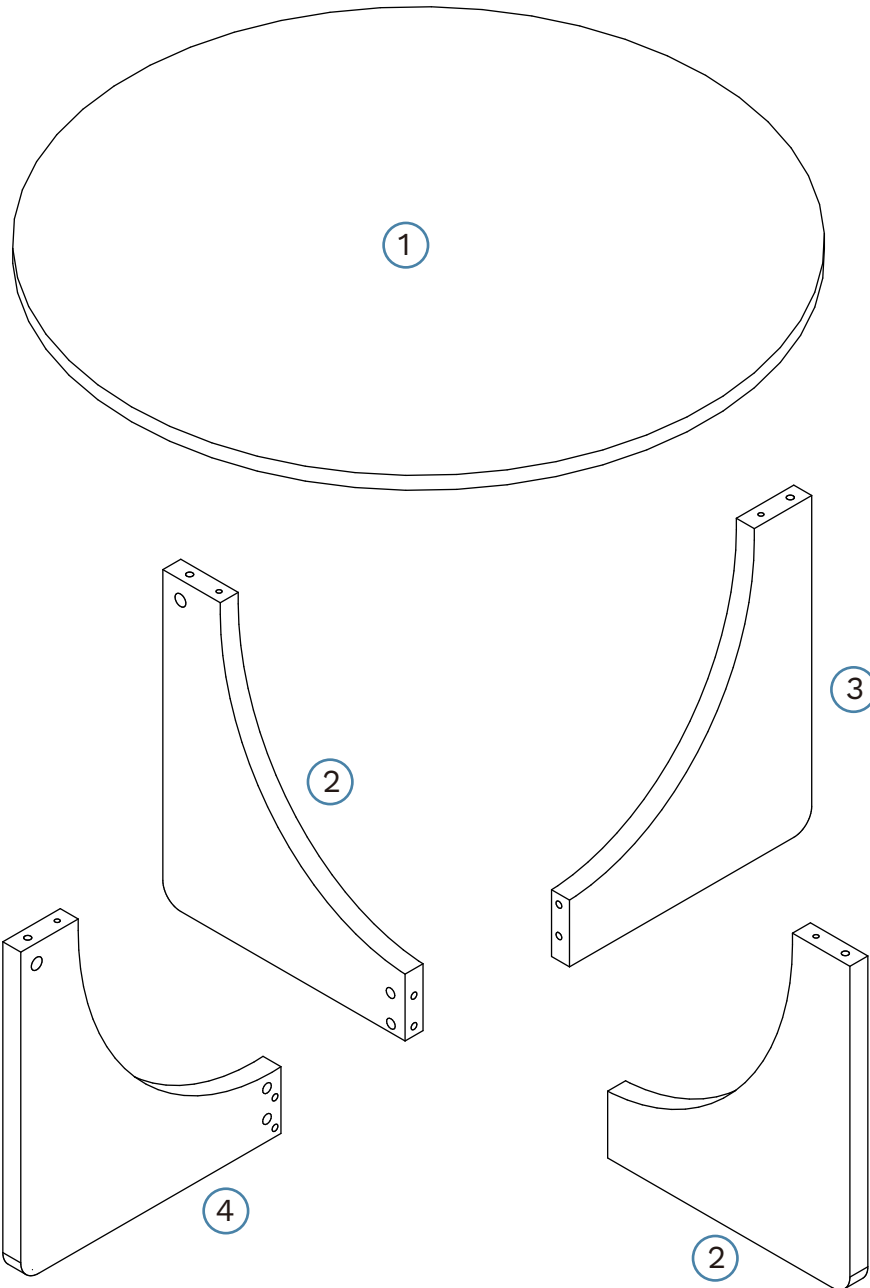
Thank you for your purchase. Please follow the instructions for correct assembly. While we took great effort to ensure these assembly instructions were correct at the time of printing, sometimes updates are required post production. For the most up to date versions please refer to the product page on our website. mocka.com.au/mocka.co.nz



Arc

Coffee Table

Panel Layout



Partlist

①	Top Panel	x1	③	Leg	x1
②	Leg	x2	④	Leg	x1

Arc

Coffee Table

A



dowel
x4

B



screw
x8

C



bolt
x4

D



locking
nut x4

E



nut
x2

F



long nut
x2

G



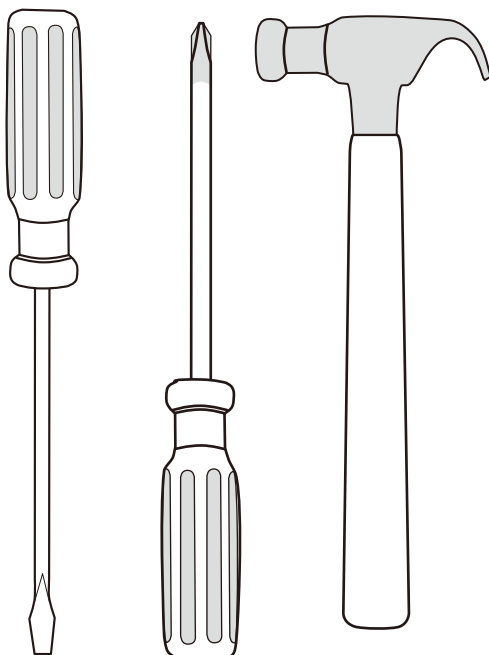
sticker
x10

H



plastic
glide x5

HARDWARE SUPPLIED



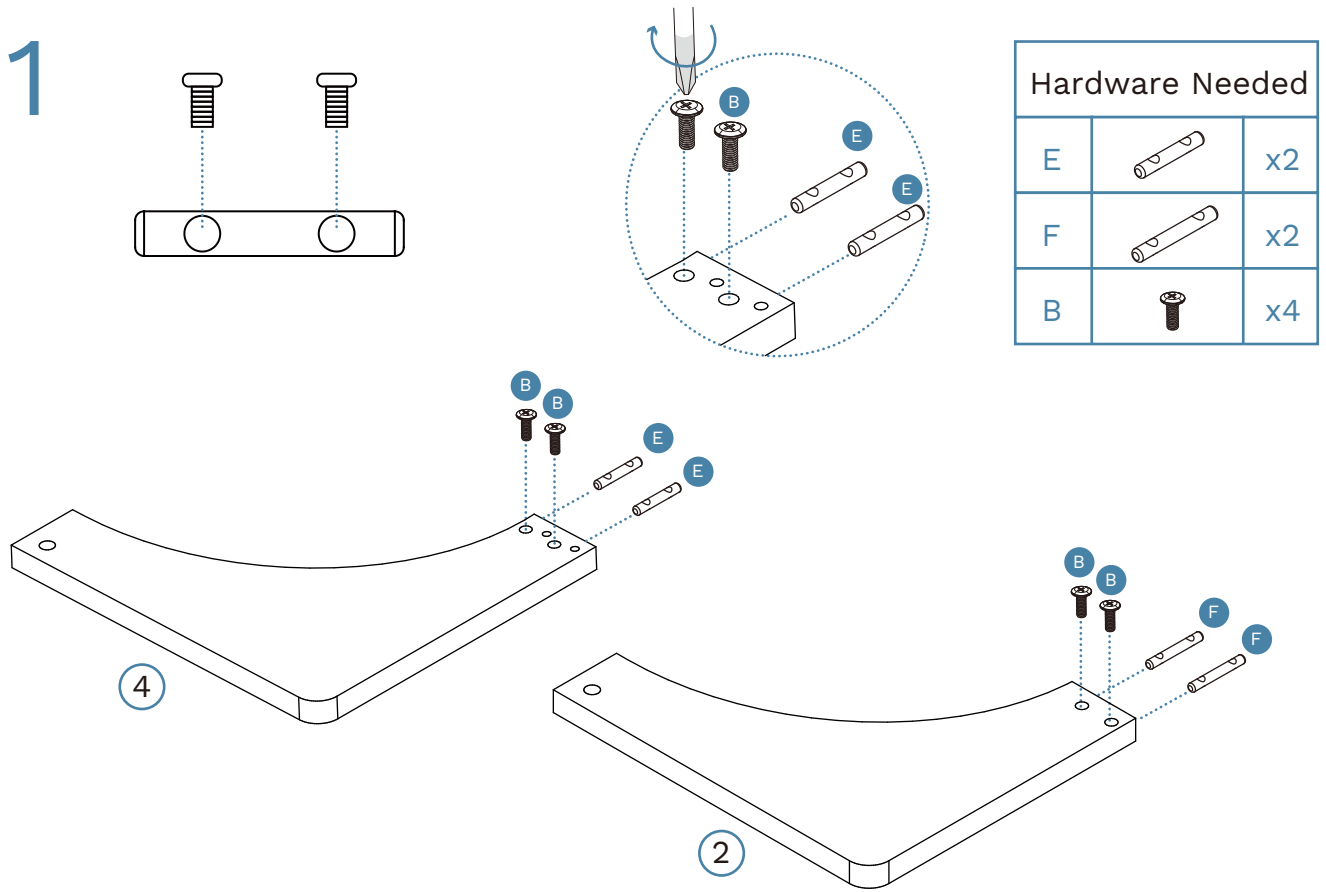
Phillips & Flathead screwdrivers
and hammer required

**For quicker assembly, we recommend the
use of a power drill on a low-speed setting.**

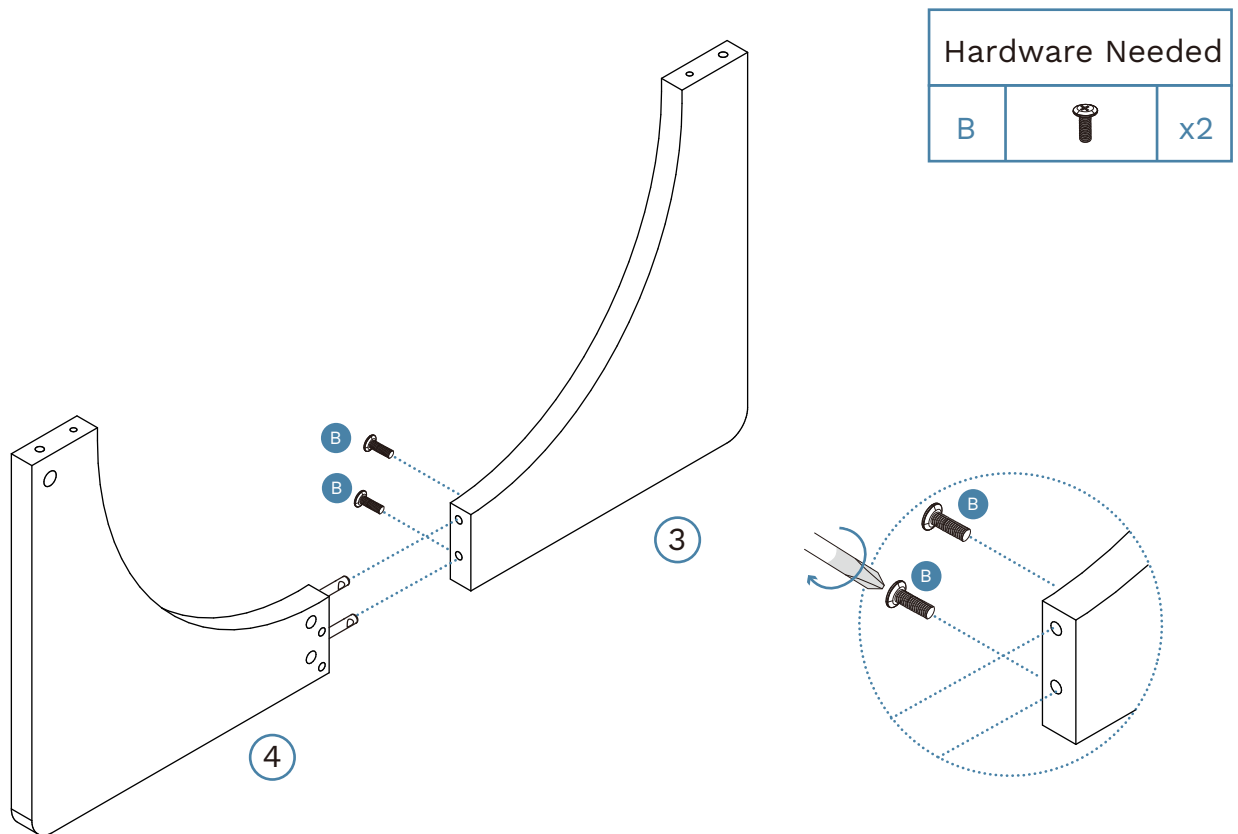
Arc

Coffee Table

1

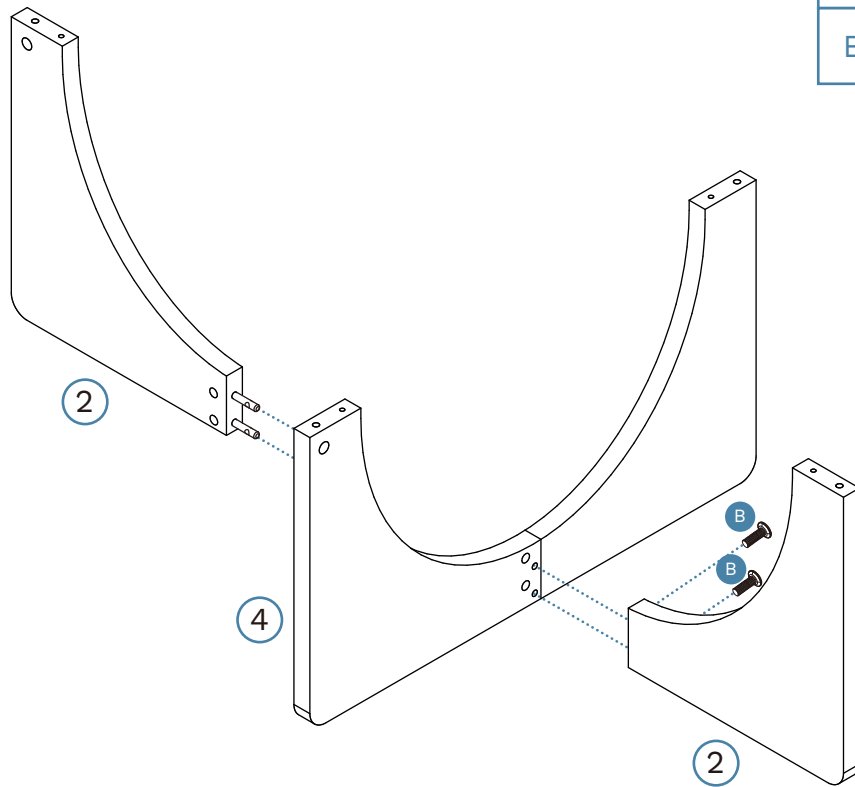



2



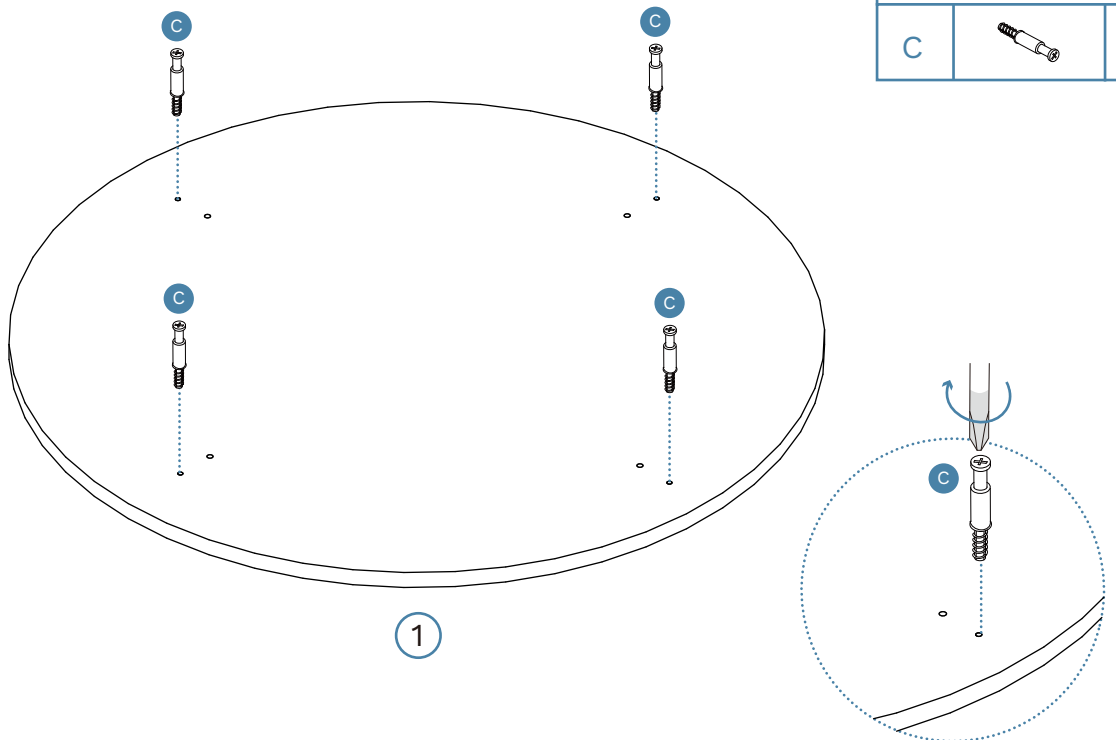
Arc
Coffee Table


3



Hardware Needed		
B		x2

4

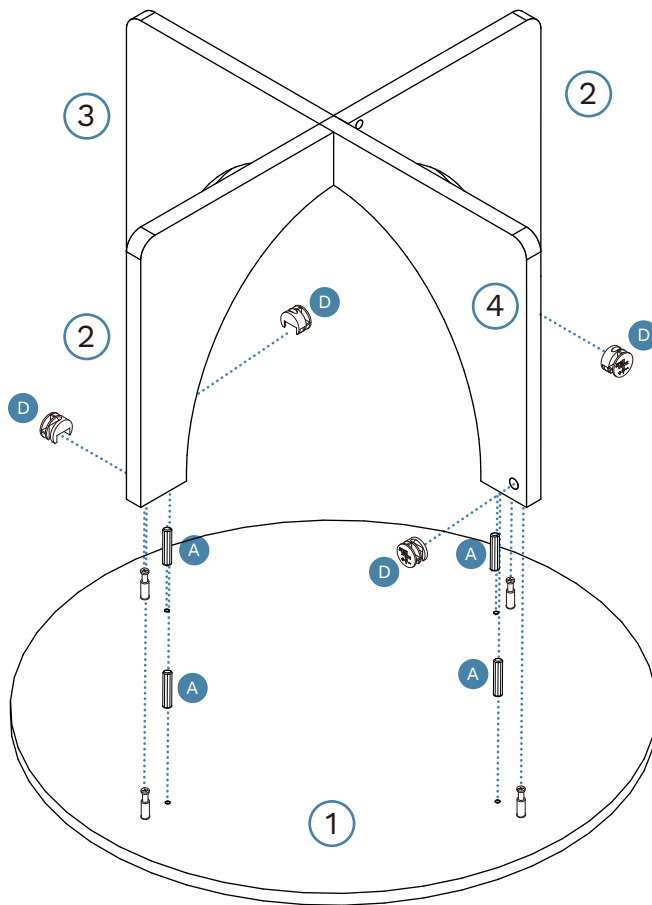


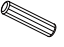

Hardware Needed		
C		x4

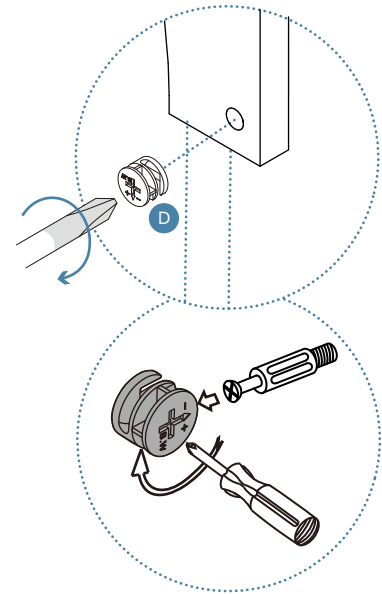
Arc

Coffee Table

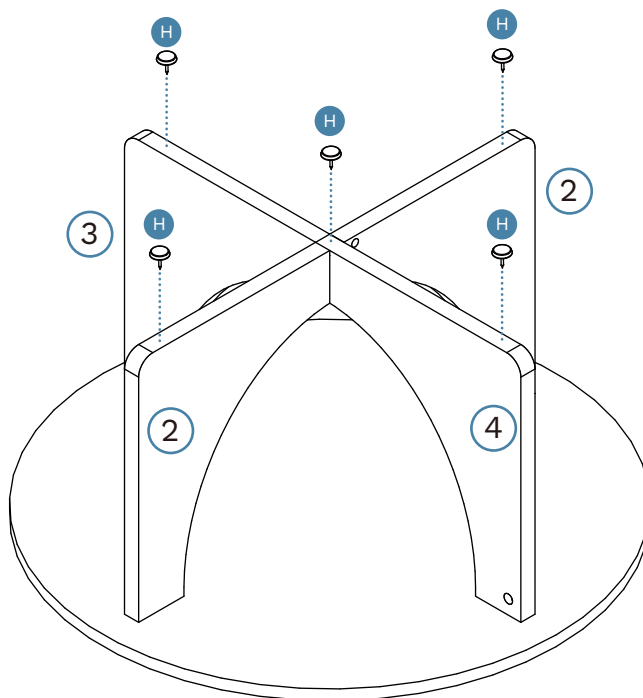
5




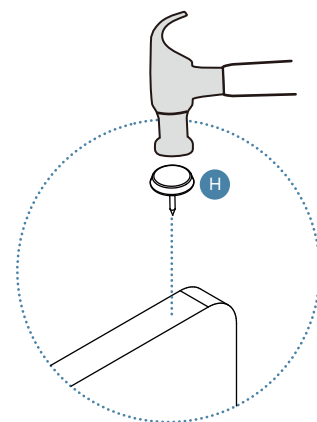
Hardware Needed		
A		x4
D		x4



6




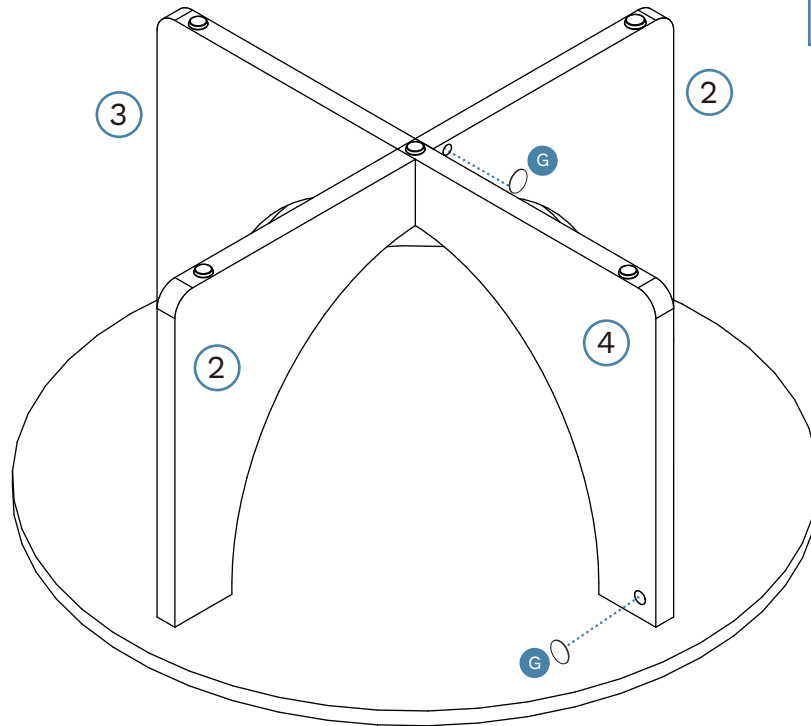
Hardware Needed		
H		x5



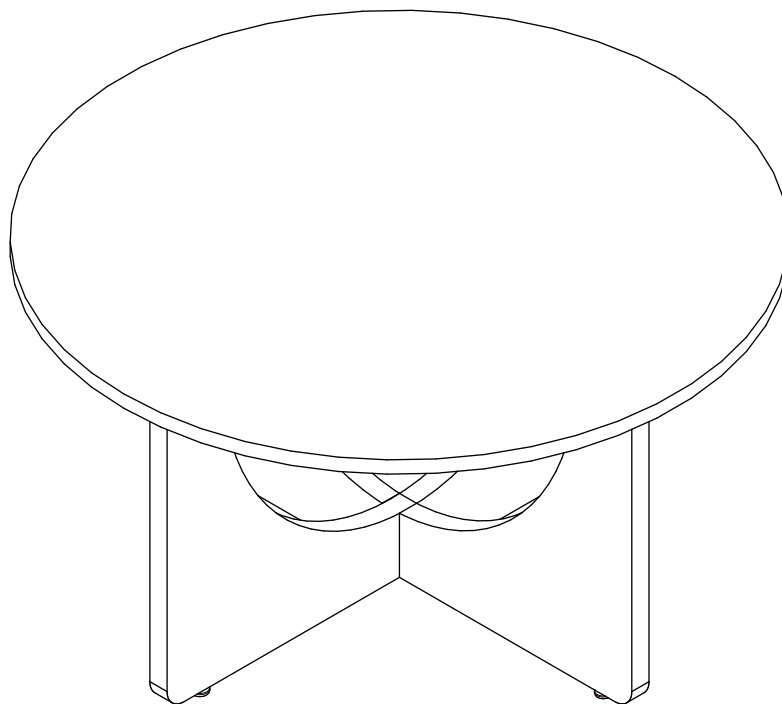
Arc
Coffee Table

7

Hardware Needed		
G		x10



8



You're done, enjoy!